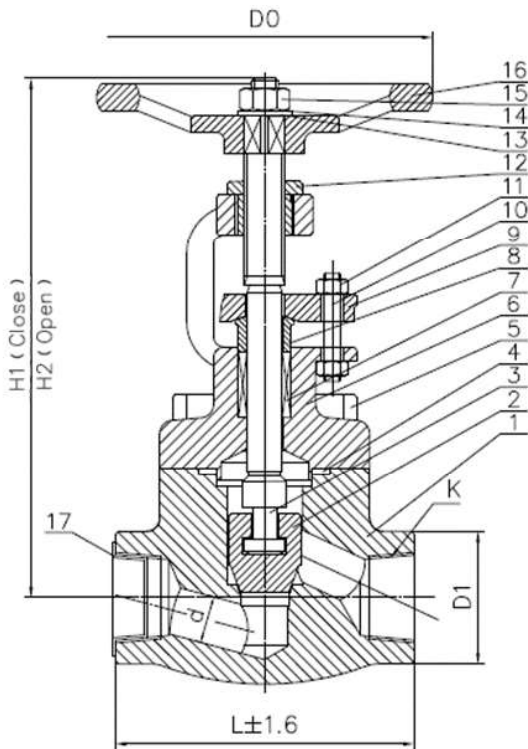


Globe Valves • Class 800 • Threaded • B3644XUT

BOLTED BONNET – REGULAR PORT – ISO 15761

Outside Screw & Yoke



APPLICABLE STANDARDS:

BASIC DESIGN: API 602

SCREWED END: ASME B1.20.1

TEST AND INSPECTION: API 598

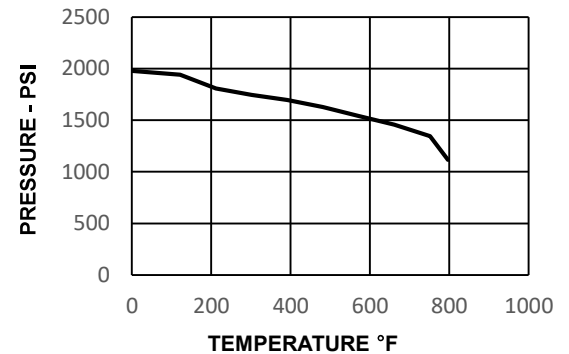
RATINGS: Carbon Steel

Class 800 – 1975 P.S.I. @ 100°F

Materials of Construction

No.	Description	Qty	Material
1	Body	1	A105
2	Wedge	1	3Cr13
3	Stem	1	1Cr13
4	Gasket	1	304+Graphite
5	Bonnet Bolt	4	A193-B7
6	Bonnet	1	A105
7	Packing	1 Set	Graphite
8	Packing Flange	1	1Cr13
9	Gland Flange	1	A105
10	Gland Bolt	2	A193-B7
11	Nut	4	A194-2H
12	Stem Nut	1	1Cr13
13	Washer	1	Q235-A
14	Nameplate	1	304
15	Hand Wheel Nut	1	A194-2H
16	Hand Wheel	1	KTH330-08
17	Plug	2	Plastic

Pressure - Temperature Rating



Dimensions

Valve Size	L		d		H1		H2		D0		D1		NPT K
in.	mm	in.	mm	in.	mm	in.	mm	in.	mm	in.	mm	in.	in.
1/2	79	3.11	10	0.39	159	6.26	169	6.65	85	3.35	32	1.26	1/2
3/4	92	3.62	13.6	0.54	159	6.26	169	6.65	85	3.35	38	1.50	3/4
1	111	4.37	18	0.71	193	7.60	206	8.11	120	4.72	46	1.81	1
1 1/4	120	4.72	24	0.94	195	7.68	219	8.62	150	5.91	56	2.20	1 1/4
1 1/2	152	5.98	29	1.14	234	9.21	254	10.00	150	5.91	62	2.44	1 1/2
2	172	6.77	36.8	1.45	265	10.43	294	11.57	170	6.69	76	2.99	2