

Class 900 • Bolted Cap

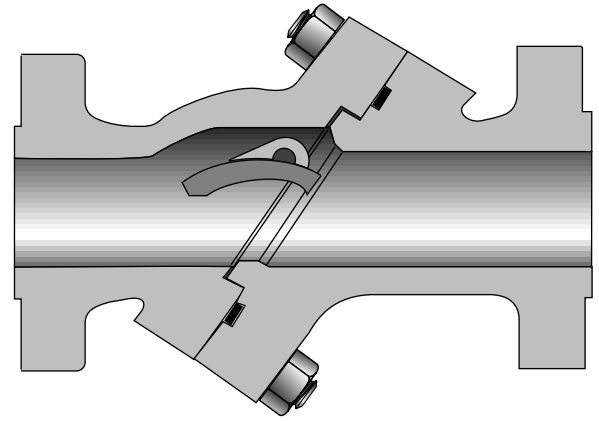
Material of Construction

Description	Material
Inlet Body	ASTM A216 WCB
Outlet Body	ASTM A216 WCB
Disc	13% CR Overlay
Pivot Pin	SS
Body Gasket	Graphite/ SS Spiral Wound
Body Studs	ASTM A193 B7
Body Nuts	ASTM A194 2H
Bearing Cap	Carbon Steel
Bearing Cap Gaskets	Soft Steel
Bearing Cap Studs	ASTM A193 B7
Bearing Cap Nuts	ASTM A194 2H
Dowel Pins	Carbon Steel

Figure 923
Flanged
Figure 923^{1/2}
Butt Weld

Size Range:
2 through 18 inches

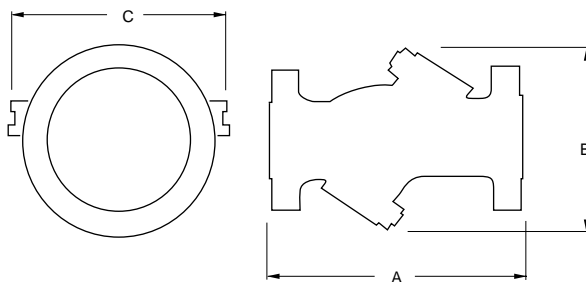
Pressure Temp. Rating
Carbon Steel
ASTM A216 Grade WCB
2220 psi @ -20°F to 100°F



Industry Standards

All materials comply with ANSI B16.34

Dimensions and Weights



Valve Size	Weight (pounds)		Dimensions (inches)		
	923	923 ^{1/2}	A	B	C
3	177	107	15.00	11.00	16.00
4	273	164	18.00	12.25	18.50
5	438	286	22.00	14.38	22.25
6	604	464	24.00	16.38	23.75
8	1050	760	29.00	20.00	28.25
10	1770	1440	33.00	24.50	34.81
12	2415	1610	38.00	27.56	34.62
14	–	2010	40.50	30.88	42.12
16	–	2260	44.50	36.50	45.00
18	–	2515	48.00	41.00	50.25