

Class 600 • Bolted Cap

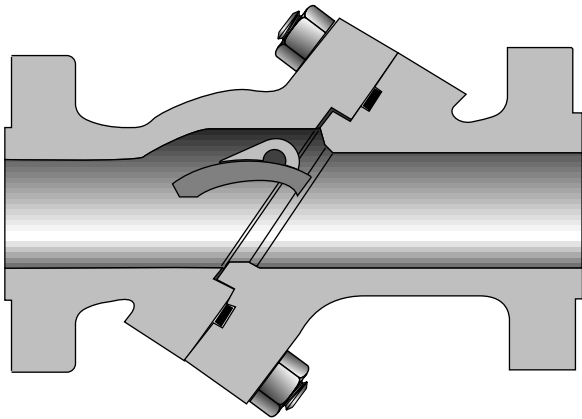


Figure 623
Flanged
Figure 623^{1/2}
Butt Weld

Size Range:
2 through 30 inches

Pressure Temp. Rating
Carbon Steel
ASTM A216 Grade WCB
1480 psi @ -20°F to 100°F

Material of Construction

Description	Material
Inlet Body	ASTM A216 WCB
Outlet Body	ASTM A216 WCB
Disc	13% CR Overlay
Pivot Pin	SS
Body Gasket	Graphite/ SS Spiral Wound
Body Studs	ASTM A193 B7
Body Nuts	ASTM A194 2H
Bearing Cap	Carbon Steel
Bearing Cap Gaskets	Soft Steel
Bearing Cap Studs	ASTM A193 B7
Bearing Cap Nuts	ASTM A194 2H
Dowel Pins	Carbon Steel

Industry Standards

All materials comply with ANSI B16.34

Dimensions and Weights

Valve Size	Weight (pounds)		Dimensions (inches)			
	623	623 ^{1/2}	A	B	C	D
2	68	60	11.50	8.38	-	8.50
2 ^{1/2}	110	70	13.00	10.00	-	10.25
3	115	85	14.00	10.00	-	10.25
4	222	164	17.00	12.88	16.00	-
5	327	267	20.00	14.50	19.25	-
6	432	295	22.00	16.00	20.25	-
8	725	435	26.00	19.12	23.50	-
10	1035	820	31.00	22.12	27.50	-
12	1470	1055	33.00	25.82	31.25	-
14	1830	1335	35.00	27.38	33.12	-
16	2550	1965	39.00	29.75	36.12	-
18	3570	2010	43.00	34.25	42.75	-
20	4805	4545	47.00	37.50	45.88	-
24	7190	5850	55.00	43.75	53.25	-
30	6925	7715	59.00	48.62	60.00	-

