

Class 600 • Outside Screw & Yoke • Bolted Bonnet

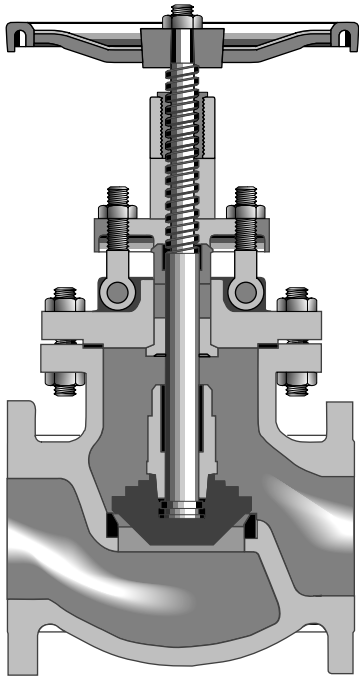


Figure 171
Flanged
Figure 171^{1/2}
Butt Weld

Size Range:
2 through 8 inches

Pressure Temperature Rating
Carbon Steel
ASTM A216 Grade WCB
1480 psi @ -20°F to 100°F

Material of Construction

Description	Material
Body	WCB
Bonnet	WCB
Seat Rings	Hardfaced
Disc	13% CR Overlay
Stem	410 SS
Packing	Graphite
Bonnet Gasket	Ring Joint
Back Seat	410 SS
Disc Stem Nut	410 SS
Disc Washer	Carbon Steel
Gland	410 SS
Gland Flange	WCB
Eye Bolt	Steel
Eye Bolt Nuts	A563 Gr. A or O
Pins	-
Bonnet Studs	A193 Gr. B7
Bonnet Nuts	A194 Gr. 2H
Handwheel	WCB
Handwheel Nut	A194 Gr. 2H
I.D. Tags	SS
I.D. Pins	SS

Industry Standards

Steel Valves	ANSI B16.34
Face-to-Face/End-to-End	ANSI B16.10
Flange Dimensions	ANSI B16.5
Weld End	ANSI B16.25
Testing	API 598
Acceptance	API RP591

Dimensions and Weights

Valve Size	Weight (pounds)		Dimensions (inches)		
			A	B	C
	171	171 ^{1/2}	171 & 171 ^{1/2}	Valve Open	
2	88	79	11.50	18.75	10.00
2 ^{1/2}	126	100	13.00	20.25	10.00
3	160	135	14.00	23.00	14.00
4	270	215	17.00	26.50	18.00
6	550	490	22.00	27.00	20.00
8	1000	790	26.00	28.50	22.00

