

### Class 125 • Rising Stem • Threaded Ends

#### Figure 428

##### Size Range:

1/2" through 3"

##### Working Pressures Non-Shock:

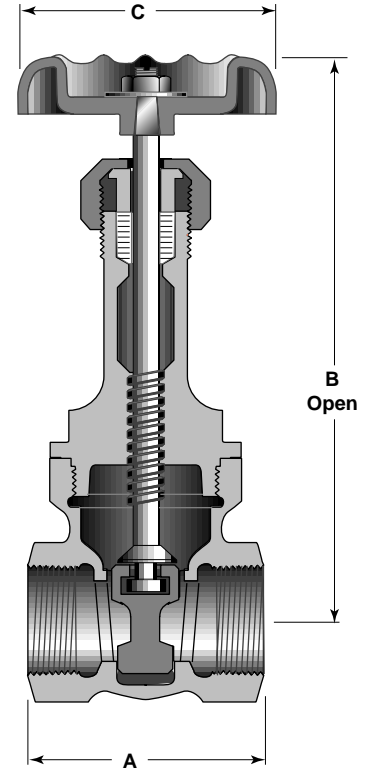
125 psi Steam, Basic Rating

200 psi Cold Working Pressure

#### Features

- Rising Stem
- Screwed Bonnet
- Solid Wedge Disc
- Back Seat
- Full Ports
- Integral Bronze Seat
- MSS--SP-80, Type 2

For more detailed features, refer to page 18.



#### Principal Parts & Materials

Part	Size	Material	ASTM
Body & bonnet	All	Bronze	B62 alloy C83600
Disc	All	Bronze	B62 alloy C83600
Stem	1/2"-2"	Bronze	B505 alloy C83600
Stem	2 1/2"-3"	Bronze	B371 alloy C69400

#### Dimensions and Weights

Inches (millimeters) - pounds (kilograms)

	1/2 (15)	3/4 (20)	1 (25)	1 1/4 (32)	1 1/2 (40)	2 (50)	2 1/2 (65)	3 (80)
A	2.04 (52)	2.15 (55)	2.47 (63)	2.77 (70)	2.85 (72)	3.25 (83)	4.24 (108)	4.61 (117)
B	5.07 (129)	6.24 (158)	7.43 (189)	8.58 (218)	9.67 (246)	11.81 (300)	14.77 (375)	16.63 (422)
C	2.57 (65)	2.57 (65)	2.75 (70)	3.08 (78)	3.64 (92)	3.65 (93)	5.24 (133)	5.24 (133)
WTS.	0.09 (0.41)	1.40 (0.61)	2.00 (0.91)	3.10 (1.41)	4.20 (1.91)	6.70 (3.02)	12.60 (5.69)	19.00 (8.60)