

CSC-9603-T
carbon steel, threaded

3-piece bolted/inline maintenance ball valve

Face to face according to DIN 3203-M3 length

Threaded ends: NPT

Materials: ASTM A216-WCB (DIN 1.0619) carbon steel

Pressure Rating: 1000 PSI (PN63)

- full bore
- stainless steel trim
- silicon-free
- high quality investment casting body and caps
- temperature range -60F to 450F
- 15% reinforced glassfibre Teflon seats, in-line repairable
- R-PTFE seats
- adjustable stem packing, blow-out proof stem S/S 316
- 100% tested air under water, 100PSI (6 bars), open/close position
- designed for ISO-5211 mounting flange for actuator

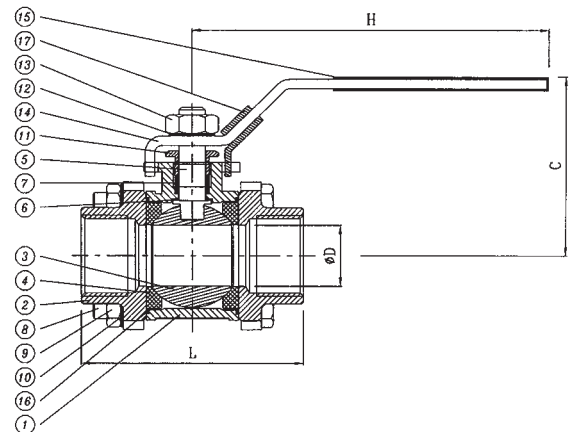
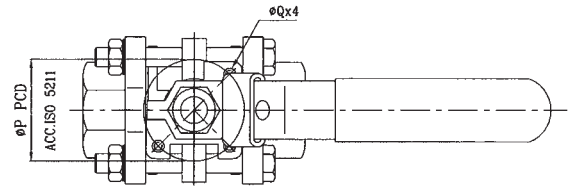
OPTIONS:

- padlocking handle, anti-static device
- actuator mounting bracket
- pneumatic actuator or electric actuator
- DIN259, DIN2999 threaded ends

DIMENSIONS

INCH	D	L	C	H	P [†]	Q [‡]	WT
1/4	11.6	60	52	102	42"	M5"	0.45
3/8	12.7	60	52	102	42"	M5"	0.40
1/2	15	75	55	116	42"	M5"	0.65
3/4	20	80	65	116	42"	M5"	0.75
1	25	90	67.5	150	42"	M5"	1.00
1 1/4	32	110	77	150	50 [†]	M6 [‡]	1.70
1 1/2	38	120	93	187	50 [†]	M6 [‡]	2.40
2	49	140	102	187	50 [†]	M6 [‡]	3.45

[†] ISO 5211 ^{**} F04 [‡] F05



MATERIALS LIST			
NO	PART NAME	MATERIAL	QTY
1	BODY	WCB	1
2	CAP	WCB	2
3	BALL	304	1
4	SEAT	REIN TEFLON 15% GFT	2
5	STEM	AISI316	1
6	THRUST WASHER	TEFLON	1
7	STEM PACKING	TEFLON	2
8	BOLT	AISI304	4-6
9	HEX NUT	AISI304	4-12
10	BOLT WASHER	AISI304	4-12
11	GLAND NUT	AISI304	1
12	STEM WASHER	AISI304	1
13	STEM NUT	AISI304	1
14	HANDLE	AISI304	1
15	HANDLE COVER	PLASTIC	1
16	BODY SEAL	TEFLON	2
17	LOCKING DEVICE	AISI304	1

