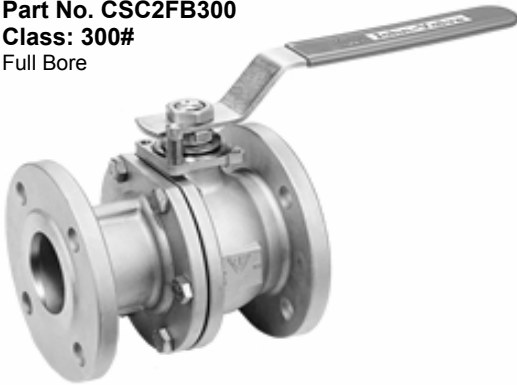


# 2-Piece Firesafe Ball Valve: ANSI-300#

**Part No. CSC2FB300**

**Class: 300#**

Full Bore



<b>FEATURES</b>	1/2" – 6": API-607 Firesafe Approved 8" – 10": API-607 Firesafe Design ISO-5211 Integrally cast actuator mounting pad S/S316 Anti-Static Stem & Ball with Relief Hole
<b>DESIGN</b>	ASME-B16.34
<b>FACE TO FACE</b>	ANSI-B16.10
<b>MATERIAL</b>	ASTM A351-CF8M S.S. Full Bore Body
<b>FLANGE</b>	ANSI-B16.5 Class 300#
<b>TESTING</b>	According to API-598
<b>TEMPERATURE</b>	-4°F to 392°F (-20°C to 200°C)
<b>SEAT/SEAL</b>	PTFE (Virgin Pure PTFE)
<b>STEM</b>	S/S316 Blow-out proof with anti-static device
<b>OPERATOR</b>	1/2" – 4": lever operator with slide lock design 6" – 10": wrench operator Gear and chain-wheel operator available for all sizes

**These valves are easily actuated with our REVO Pneumatic and Crane 44000 series Quarter Turn actuators.**

API-607 FIRESAFE APPROVED Material List (1/2" – 6")			
No.	PART	MATERIAL	QTY
1	Body	CF8M	1
2	Stem Nut	A194-8A	2
3	Locking Handle	S/S304	1
4	Gland Ring	S/S304	1
5	Belleville Disc	S/S301	2
6	Stem Packing	PTFE	2
7	Anti-Static Stem	A276-316	1
8	Seat	PTFE	2
9	Ball - Relief Hole	CF8M	1
10	Body Seal	PTFE	1
11	Cap	CF8M	1
12	Handle Sleeve	Plastic	1
13	Stop Pin	S/S304	1
14	Nut Stopper	S/S304	1
15	Thrust Washer	PTFE	1
16	Nut	A194-8A	4-8

API-607 FIRESAFE DESIGN Material List (8" – 10")			
No.	PART	MATERIAL	QTY
1	Body	CF8M	1
2	Cap	CF8M	2
3	Ball	CF8M	1
4	Body Seat	15% R-PTFE	2
5	Stem Packing	PTFE	2
6	Gland Bolt	SS304	2
7	Hex Cap Screw	SS304	8-12
8	Seal	PTFE	1
9	Stopper	SS304	1
10	Retainer Ring	SS304	1
11	Handle	*GGG40	1
12	Thrust Washer	PTFE	1
13	Gland	SS304	1
14	Stem	SS316	1
15	O-ring	Viton	1
16	Adaptor	SS304	1
17	Bracket	SS304	1
18	Gear Operator	SS304	1

*\*Handle supplied with powder coating.*

Dimensions (mm): ANSI-300# API-607 FIRESAFE APPROVED													
INCH	d	C	D	g	t	h	n	H	I	L	ISO-5211	WT (KG)	TQ* (In.lbs)
1/2"	15	95	67	35	14	16	4	163	86	140	F04	2	53
3/4"	20	117	83	43	16	19	4	163	92	152	F04	3	53
1"	25	124	89	51	18	19	4	174	106	165	F05	4	177
1 1/4"	32	133	98	64	19	19	4	174	114	178	F05	6	243
1 1/2"	38	156	115	73	21	22	4	214	116	190	F05	7	354
2"	50	165	127	92	22	19	8	275	136	216	F07	10	443
2 1/2"	65	190	149	105	25	22	8	275	150	241	F07	16	531
3"	80	210	168	127	28	22	8	372	185	283	F10	23	797
4"	100	254	200	157	32	22	8	372	200	305	F10	35	1173
6"	150	270	318	216	37	22	12	500	-----	403	F12	103	2478

Dimensions (mm): ANSI-300# API-607 FIRESAFE DESIGN													
INCH	d	C	D	g	t	h	n	H	I	L	ISO-5211	WT (KG)	TQ* (In.lbs)
8"	200	330	381	270	41	25	12	540	-----	502	F12	198	2655
10"	250	387	444	324	47.6	28.6	16	540	-----	568	F14	310	3983

*\*Torque values do not include a safety factor*

*Following a policy of continuous improvement, Crane Supply reserves the right to alter specifications and dimensions shown on this brochure without prior notice.*

